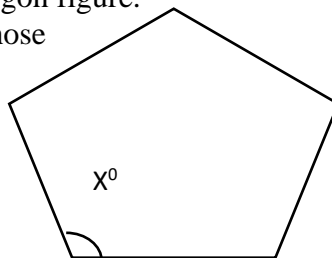


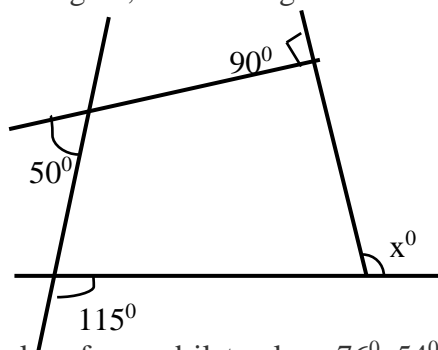


- Q.1 How many diagonal are there in a pentagon.
 Q.2 Find the measure of each exterior angle of a regular polygon of 8 sides.
 Q.3 Find the measure of each interior angle of a regular polygon of pentagon.
 Q.4 Find the angle measure x in the given regular polygon figure.
 Q.5(a) Find the number of sides of regular polygon whose Exterior angle is 40° .



Q.4 figure

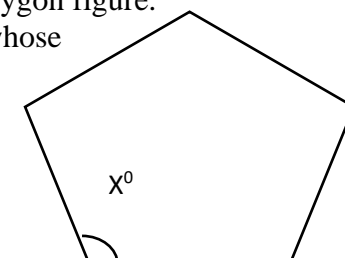
- Q.5 (b) In the given figure, find the angle measure x



- Q.6 The three angles of a quadrilateral are 76° , 54° , 108° . Find the measure of the fourth angle.
 Q.7 ABCD is a parallelogram in which $\angle A = 110^\circ$. Find the measure of each of the angles $\angle B$, $\angle C$, $\angle D$.
 Q.8 Two adjacent angles of a parallelogram are equal. What is the measure of each of these angles?
 Q.9 Two adjacent angles of a parallelogram are in the ratio 4:5. What is the measure of each of these angles?
 Q.10 The angles of a quadrilateral are in the ratio 3:5:7:9. Find the measure of the each angles.

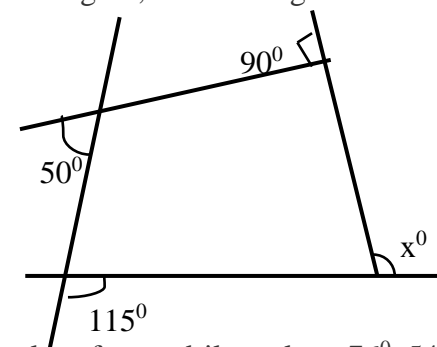


- Q.1 How many diagonal are there in a pentagon.
 Q.2 Find the measure of each exterior angle of a regular polygon of 8 sides.
 Q.3 Find the measure of each interior angle of a regular polygon of pentagon.
 Q.4 Find the angle measure x in the given regular polygon figure.
 Q.5(a) Find the number of sides of regular polygon whose Exterior angle is 40° .



Q.4 figure

- Q.5 (b) In the given figure, find the angle measure x



- Q.6 The three angles of a quadrilateral are 76° , 54° , 108° . Find the measure of the fourth angle.
 Q.7 ABCD is a parallelogram in which $\angle A = 110^\circ$. Find the measure of each of the angles $\angle B$, $\angle C$, $\angle D$.
 Q.8 Two adjacent angles of a parallelogram are equal. What is the measure of each of these angles?
 Q.9 Two adjacent angles of a parallelogram are in the ratio 4:5. What is the measure of each of these angles?
 Q.10 The angles of a quadrilateral are in the ratio 3:5:7:9. Find the measure of the each angles.

